

Single-pin coaxial connector

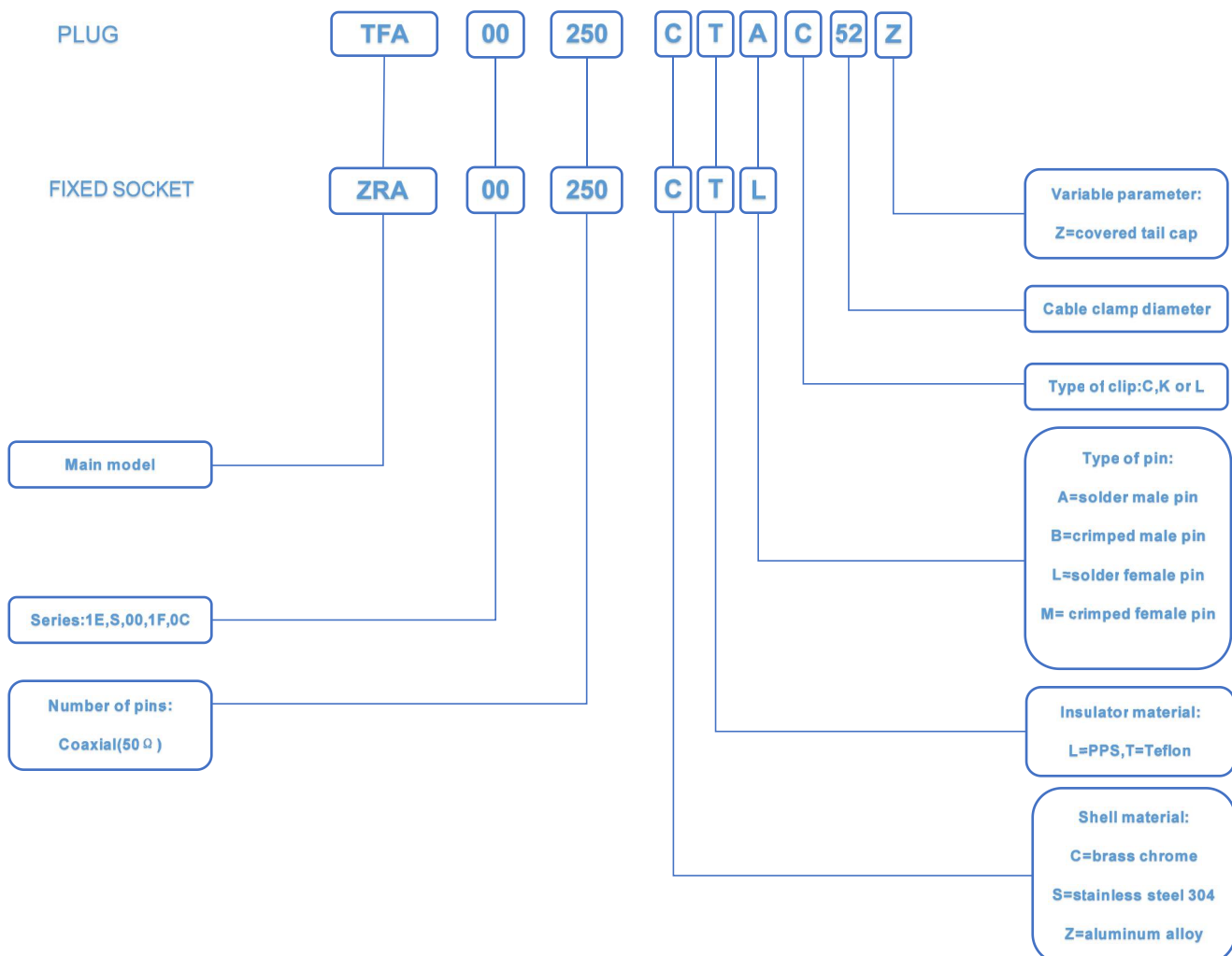
Brief introduction.

A single-pin coaxial connector is generally considered to be an element attached to a cable or mounted on an instrument as an electrical connection or separate component of the transmission line. It is a mechatronic product. Simply put, it mainly serves as a bridge. Has the following characteristics;

Main features:

- Small size, quick insertion and removal of self-locking system for easy installation;
- There are straight type, 90° angle type and other different types of plugs;
- High frequency: transmission frequency is 3MHZ ∞ 30MHZ;
- Many functions: in addition to the role of the bridge, it also has the function of processing signals, such as filtering, phase adjustment, mixing, attenuation, detection, limiting, etc.
- Low standing wave, low loss: meeting the needs of weapon systems and precision measurement;
- Large capacity, high power: mainly to meet the development needs of the information superhighway.

Single-pin coaxial connector numbering rules:

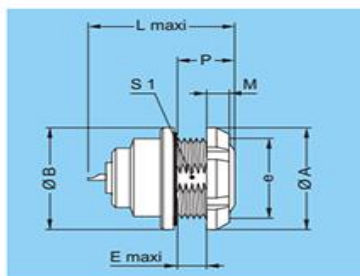
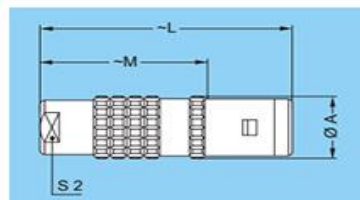


Product number example:

TFA.00.250.CTAC52Z=TFA plug,00 series, single pin coaxial(50Ω), brass chrome-plated housing, Teflon insulator, solder male pin, c-type clamp for 5.2mm outer diameter cable.Cover cap with sheathed model

ZRA.00.250.CTL=ZRA Socket,00 Series, single pin coaxial(50Ω), Brass Chrome Plated, Teflon Insulator, Solder Female pin.

1E single-pin coaxial connector



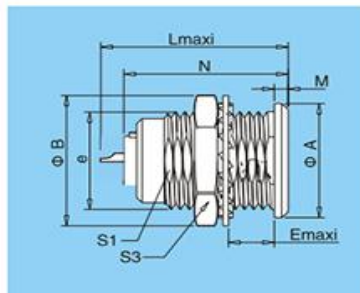
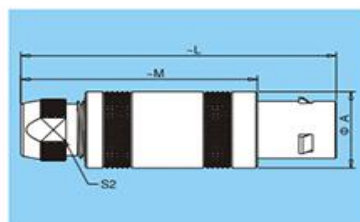
TFA straight plug, cable clamp and sheathed tail cap

numb	series	size (mm)			
		A	L	M	S2
TFA. 1E. 250. CLAC**Z	1E	13	42	28	9

ZRA fixed socket, external nut fixing

numb	series	size (mm)								
		A	B	e	E	L	M	N	P	S1
ZRA. 1E. 250. CLL	1E	20	20	m16x1.0	6.2	27	3.5	25	10	15

S series single-pin coaxial connector



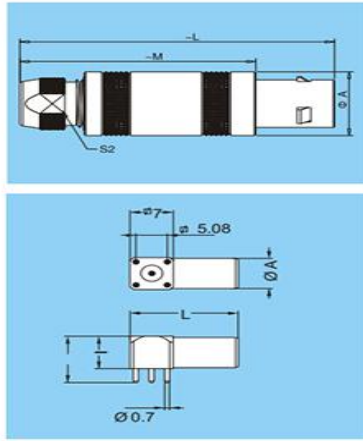
TFA straight plug, cable clamp and sheathed tail cap

numb	series	size (mm)			
		A	L	M	S2
TFA. 1S. ***. CLAC**Z	00S	6.4	26	18	4.5
TFA. 1S. ***. CLAC**Z	0S	8.8	34.5	24.5	6.5
TFA. 1S. ***. CLAC**Z	1S	11.8	42.5	31.5	8.5

ZRA fixed socket, external nut fixing

numb	series	size (mm)								
		A	B	e	E	L	M	S1	S2	
ZRA. 00. ***. CLL	00S	8	10.2	m7x0.5	5.5	14.5	1	10	14.5	
ZRA. 0S. ***. CLL	0S	10	12.4	m9x0.6	7	17.5	1.2	8.2	11	
ZRA. 1S. ***. CLL	1S	14	15.8	m12x1.0	7.5	20.2	1.5	10.5	14	

00S single-pin coaxial connector



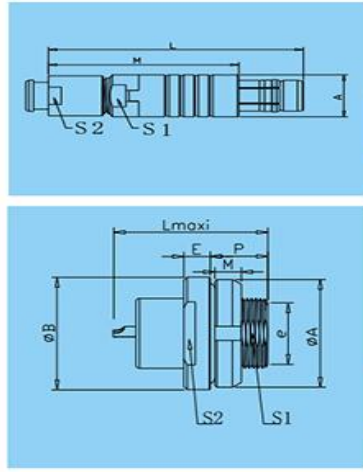
TFA straight plug, cable clamp and sheathed tail cap

numb	series	size (mm)			
		A	L	M	S2
TFA. 00. ***. CLAC**Z	00S	6.4	26	18	4.5

90° angled socket for ZPL solid printed circuit board, fixed socket, double nut fixing

numb	series	size (mm)		
		A	H	I
ZRA. 00. ***. CLL	00S	6.5	10	7

0F single-pin coaxial connector



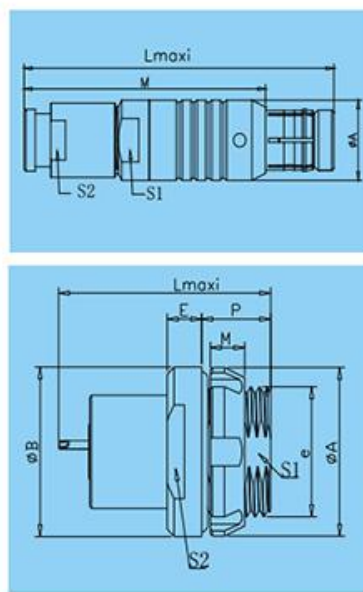
TGG straight plug, cable clamp and sheathed tail cap

numb	series	size (mm)			
		A	L	M	S1
TGG. 0F. ***. CLAC**Z	0F	9	36	26	7

MEG fixed socket, outer nut fixed

numb	series	size (mm)									
		A	B	e	E	L	M	P	S1	S2	
MEG. 0F. ***. CLL	0F	11.5	13	m9x1.0	3	21	3	6.5	8.2	12	

0C single-pin coaxial connector



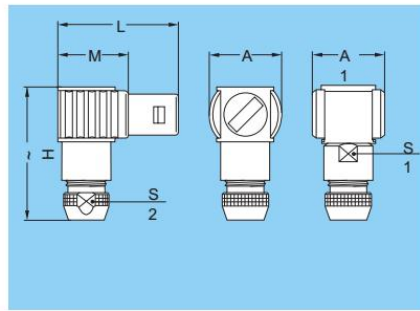
TGG straight plug, cable clamp and sheathed tail cap

numb	series	size (mm)			
		A	L	M	S1
TGG. 0C. ***. CLAC**Z	0C	9	36	26	7

MEG fixed socket, outer nut fixed

numb	series	size (mm)									
		A	B	e	E	L	M	P	S1	S2	
MEG. 0C. ***. CLL	0C	11.5	13	m9x1.0	3	21	3	6.5	8.2	12	

TLA 90° angled plug, cable clamp

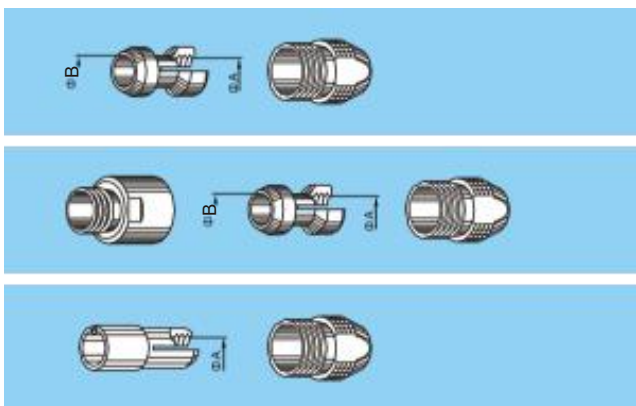


PRODUCT NUMBER	SERIES	SIZE (mm)						
		A	A1	H	L	M	S1	S2
TLA. 1S. ***. CTAC052	1S	16	16	28.5	26.5	15.5	10	8.5
TLA. 2S. ***. CTAC72	2S	20	20	37	31	19	13	11

Detail

series	number	core type	test voltage	test voltage	rated current	contact diameter
00S	113	welding	800V	1200V	8A	1.3mm
	250	welding	2100V	3000V	4A	0.7mm
0S 0C	116	welding	1500V	2100V	12A	1.6mm
	250	welding	3000V	4200V	6A	0.9mm
1S 1F	120	welding	1700V	2400V	18A	2.0mm
	250	welding	3000V	4200V	12A	1.6mm
	275	welding	2400V	3300V	10A	1.3mm
1E 1S	250	welding	3000V	4200V	12A	1.6mm
2S	250	welding	3000V	4200V	40A	1.6mm

C Type and K Type



Number		clip		cable	
Type	NO.	φA	φB	MAX	MIN
00	C 27	2.7		2.6	2.2
	K 37	3.7		3.6	3.0
0S/0C	C 27	2.7		2.6	2.2
	C 32	3.2		3.1	2.7
	C 42	4.2	3.7	4.1	3.3
	K 47	4.7		4.6	3.8
1S/1E/1C	C 32	3.2		3.1	2.6
	C 42	4.2		4.1	3.3
	C 47	4.7		4.6	3.8
	C 52	5.2		5.1	4.3