

## HMC-32 module connector:

The connector plug insulator has anti-missing function; when the plug and the socket are mated, there is an error-proof setting of the outer casing part, and the pin and the front end of the jack are chamfered, and the multi-boot ensures that the plug and the seat have good after installation. Cooperate.

## HMC-32 module technical parameters:

### 1, the main performance indicators of the product:

Rated current:	8# pin (power supply): 50A 22# pin (signal): 5A
Rated voltage:	between power supply hole position (1#~4#, 29#~32): 2500V (AC) signal hole position (5#~23#): 1500V (AC) Between the power supply and the signal hole: 1500V (AC)
Contact resistance:	8# pin (power supply): $\leq 1.0 \text{ m}\Omega$ ; 22# pin (signal): $\leq 5.0 \text{ m}\Omega$
Insulation resistance:	$\geq 3000 \text{ M}\Omega$
Mechanical life:	500 times
Vibration:	10Hz ~ 500Hz, acceleration $98 \text{ m/s}^2$ , instantaneous break $\leq 1 \mu\text{s}$
impact:	peak acceleration $147 \text{ m/s}^2$ , instantaneous break $\leq 1 \mu\text{s}$
Operating temperature:	$-40^\circ\text{C} \sim 125^\circ\text{C}$
Operating humidity:	90% to 95% ( $40^\circ\text{C} \pm 2^\circ\text{C}$ )

### 2, the main materials of the product:

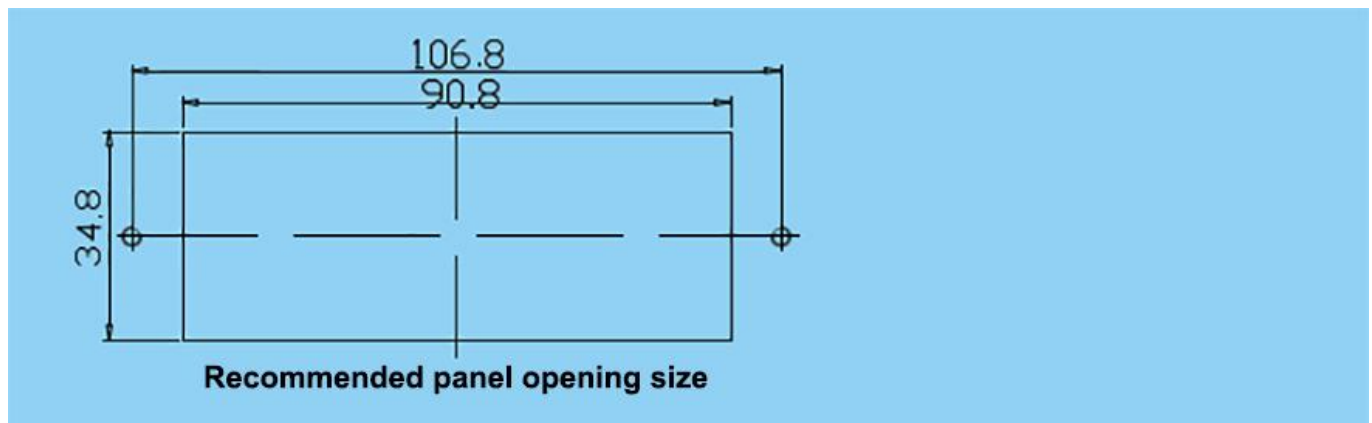
Contact body: 8# pin (power supply): copper alloy (silver base back surface silver plated) 22# pin (signal): copper alloy (gold plated back surface gold plated)

Insulator: PBT + 15% GF (UL94 V-0) black

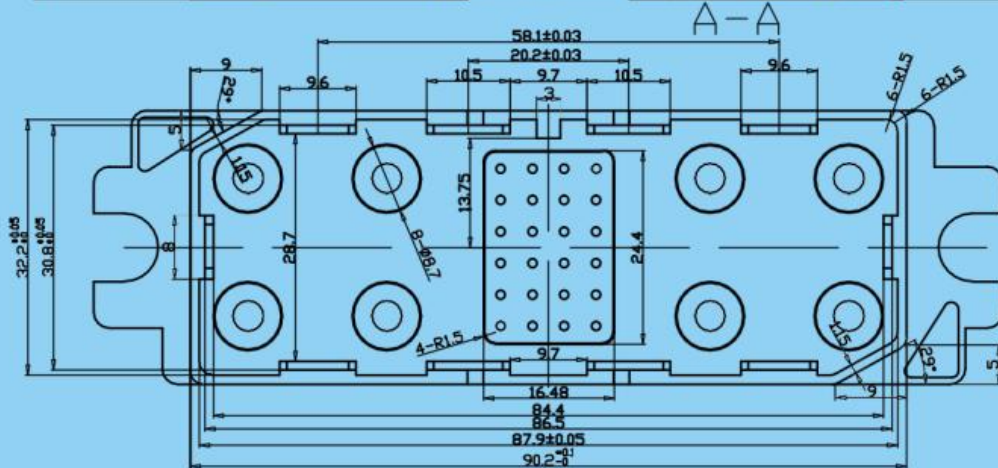
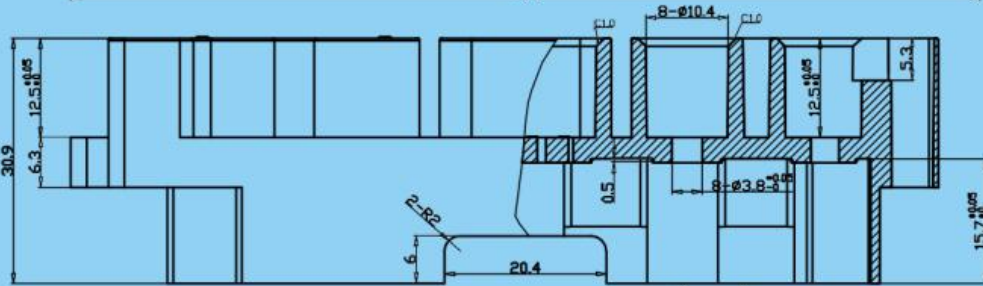
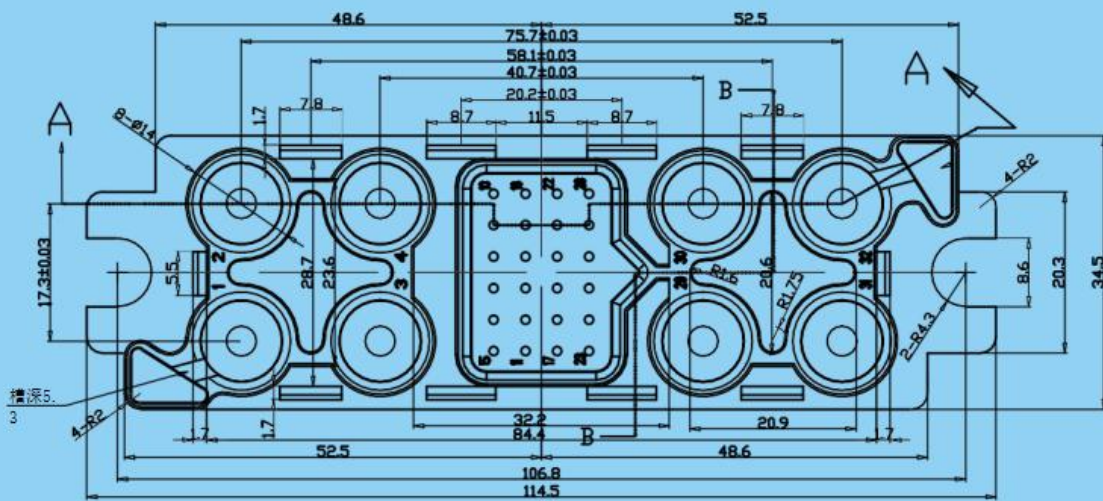
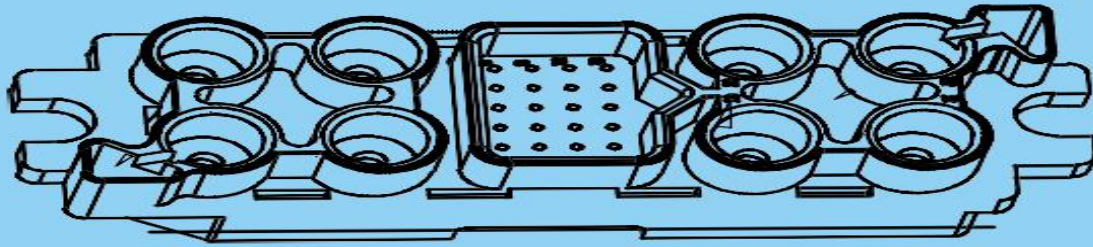
## HMC-32 module technical parameters:

HMC-32 mold package storage: The product is placed in a small cell of a plastic tray, and then packaged in a box, and the product packaged in a box should have an ambient temperature of  $-10^\circ\text{C}$  to  $40^\circ\text{C}$ , a relative humidity of 80% or less, and no acid or alkaline in the surrounding air. Or storage in the warehouse of other corrosive gases.

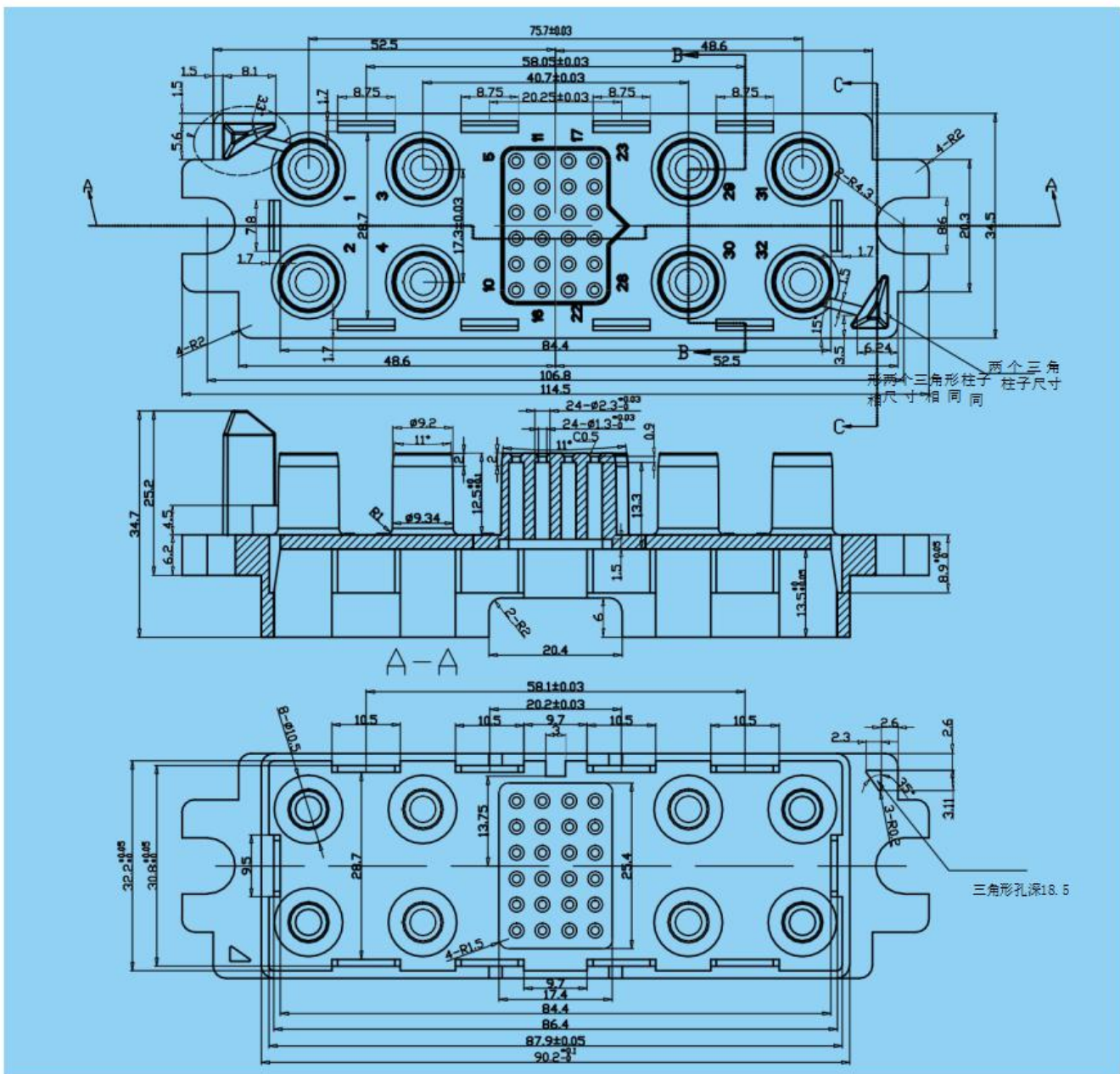
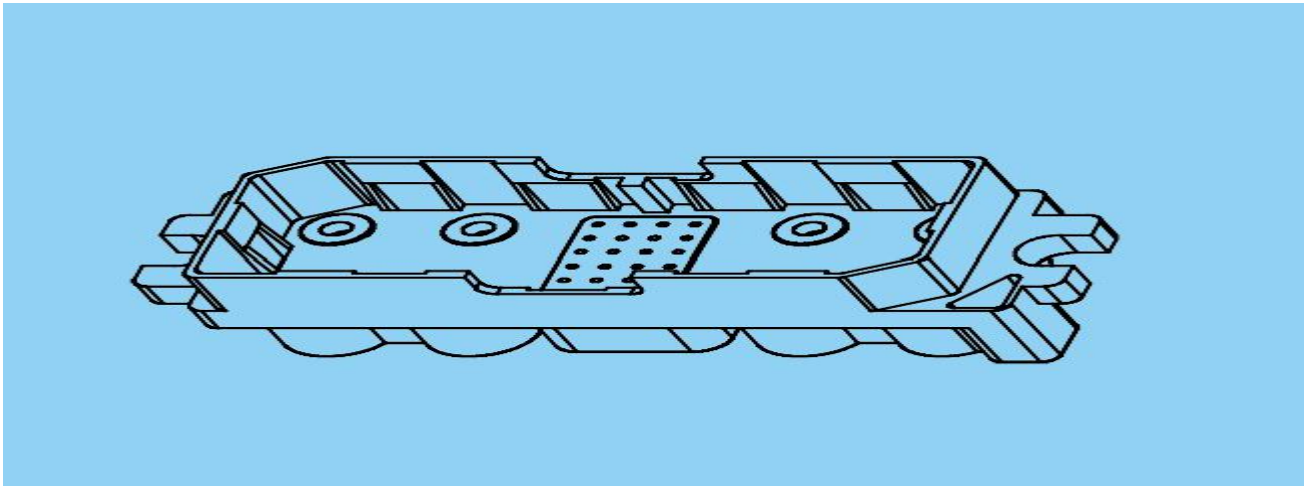
## HMC-32 opening size:



HMC-32 module connector male end dime



**HMC-32 module connector female end dimensions:**



## Detail

Specification		Power contact	
		5—27 pin (some holes can be loaded without needle according to demand)	1—4, 28—32 pin
Rated current		5A	50A
Contact resistance		5.0 (6.7) mΩ	0.01 (0.013) mΩ
Withstand voltage		1000V	5000V
Surface treatment		Silver plated, nickel plated at the bottom	Silver plated, nickel plated at the bottom
Termination form		Pin: plate pin B Jack: Crimp type Y, plate pin B, welded H	
Material	Pin, jack coat	Brass or copper alloy	
	Crown spring	Bronze bronze	
Insulation resistance		≥3000MΩ	
Mechanical life		500Times	
Housing material		PBT+15%GF (UL94 V-0) black	